

Livewell Aerator Timer.

!!! Warning !!!

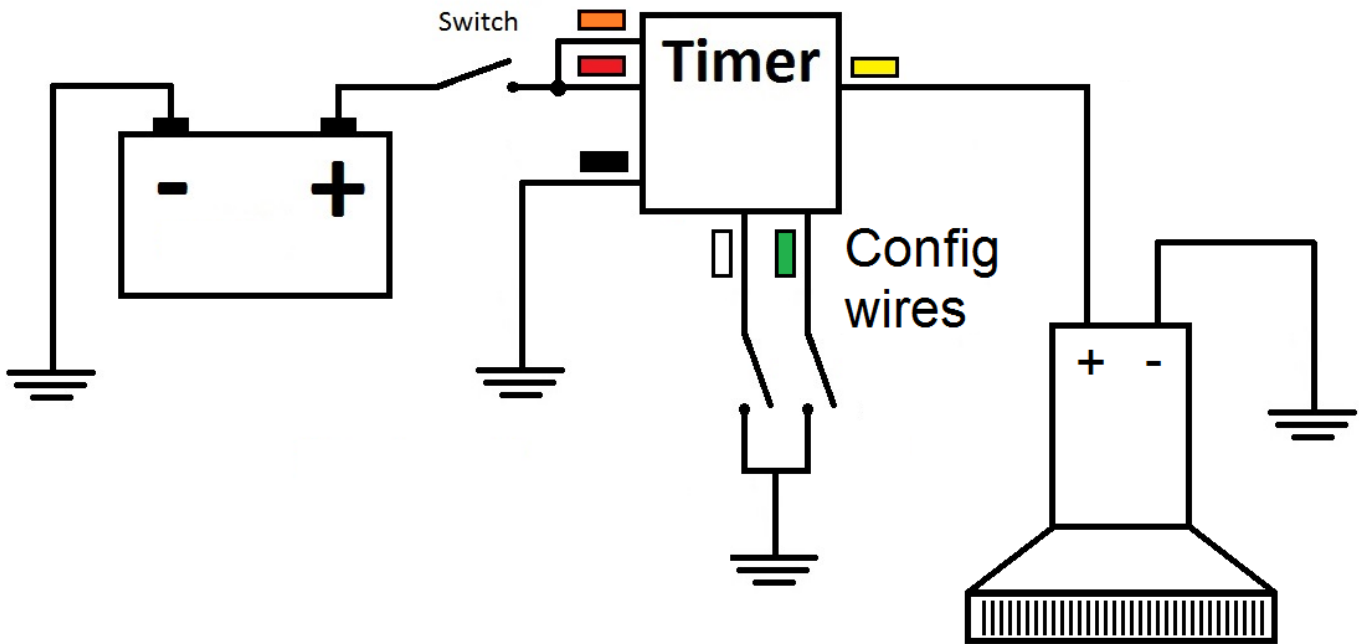
DO NOT return the item to the original retailer. Contact the support for any problem with the item or item delivery.

timersshop@gmail.com

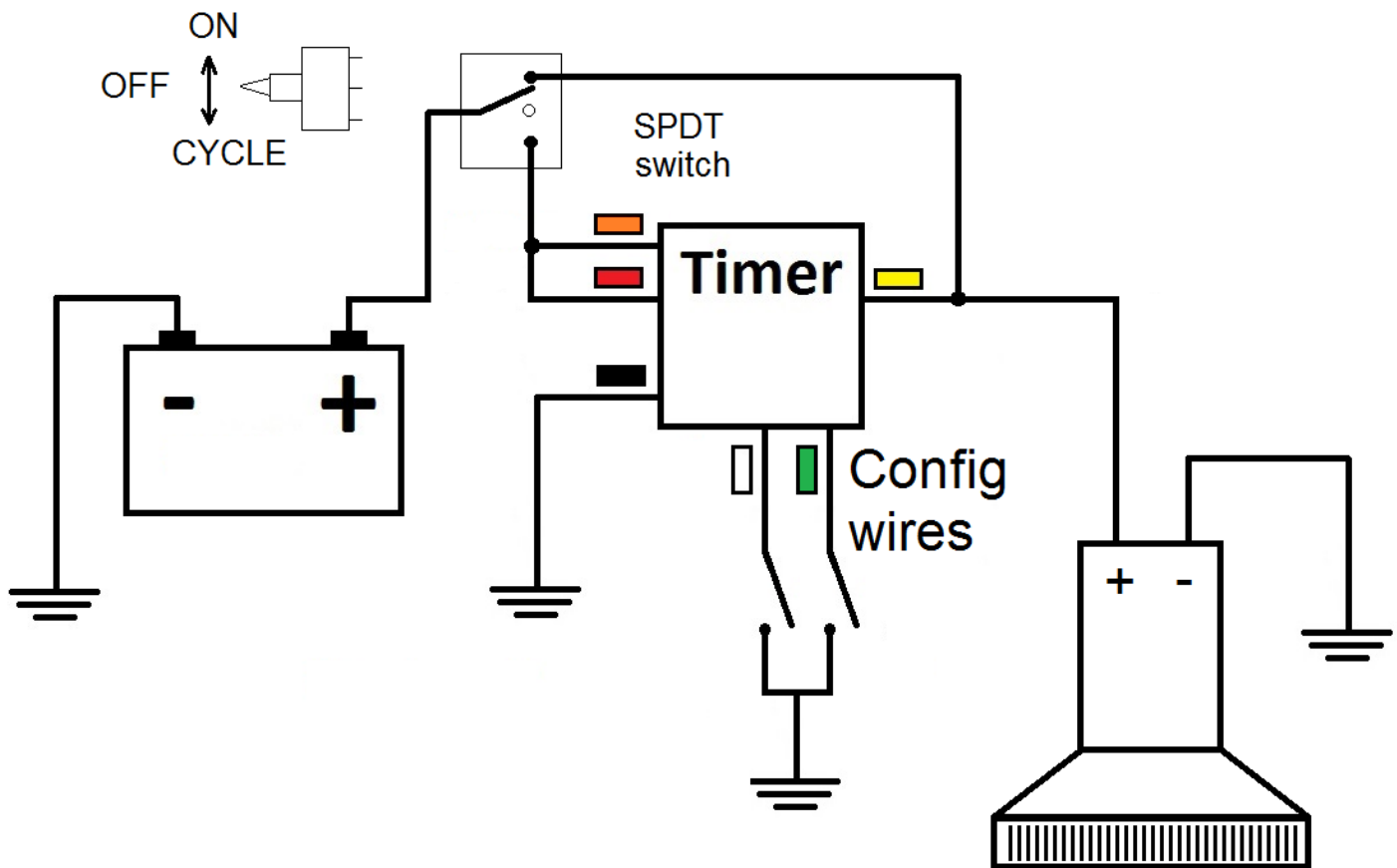
Livewell aerator timer operates the pump in cycling On-Off mode. The timer On and Off duration can be set from 10 sec to 30 min. The default is 30 sec On and 3 min Off. The timer can also be set to run the pump at lower speeds. The first 10 seconds the pump always runs at 100% duty to prime the pump and ensure correct water circulation, then power can be dropped to the lower rate (between 10% and 100%) to run the pump at lower speeds for the duration of the On phase.

*** For up to date installation instructions and videos visit www.bit.ly/timer20

Standard timer connection with On-Off switch.



Timer connection with 3-position switch to be able to switch between On-Off-Cycle modes.



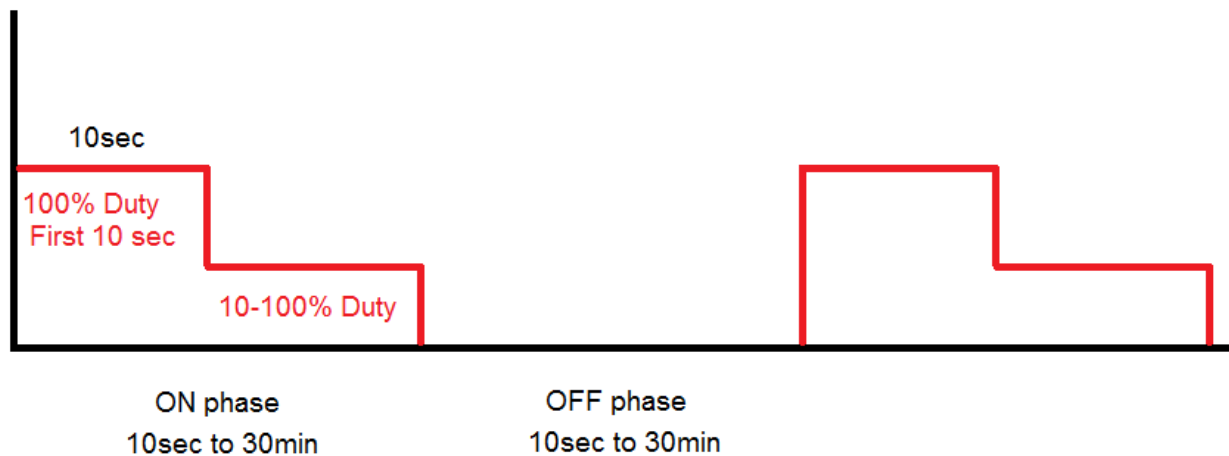
Connect timer according to the one of the above diagrams:

Red/Orange – Power

Black – Ground

Yellow – Pump positive

White/Green – configuration wires



To configuration the timer:

1. Short WHITE and GREEN wires to the ground (or push the buttons connected to WHITE and GREEN wires), and then supply power to the timer. Once the pump turns On disconnect WHITE and GREEN wires or release the buttons. The timer is now in the configuration mode.
2. Briefly connect WHITE wire to the ground. Power will be supplied to the pump for a short duration. Each time WHITE wire is connected to the ground adds +10 seconds to the ON period. Connecting GREEN wire to the ground adds +10 seconds to the OFF period.
3. Turn the power Off to the timer if you do not need to change the duty cycle. Or continue to the next step.
4. Short WHITE and GREEN wires to the ground at the same time and disconnect. The pump will turn On for about 3sec, then shut off for a 1second and turn On again. Pump runs at 100% duty now.
5. Each time WHITE wire is connected to the ground decreases the duty cycle and reduces pump speed. Once you get to the speed you want pump to run disconnect the power from the timer.

Resetting Timer to the factory settings.

To reset timer to the factory settings perform the following procedure:

1. Connect WHITE/GREEN wires to the ground.
2. Supply power to the timer.
3. When pump turns On disconnect the power while keeping WHITE/GREEN wires connected to the ground.
4. Repeat supply and disconnect of the power five times.
5. On the fifth time the power to the pump will be supplied in two short burst.

Timer is now reset to the factory settings and ready for new programming.
Default settings: 30sec On, 3min Off, 100% duty cycle.

Timer connection and programming video on YouTube: https://youtu.be/_rkHDdgur9k