

## *Livewell Aerator Timer.*

**!!! Warning !!!**

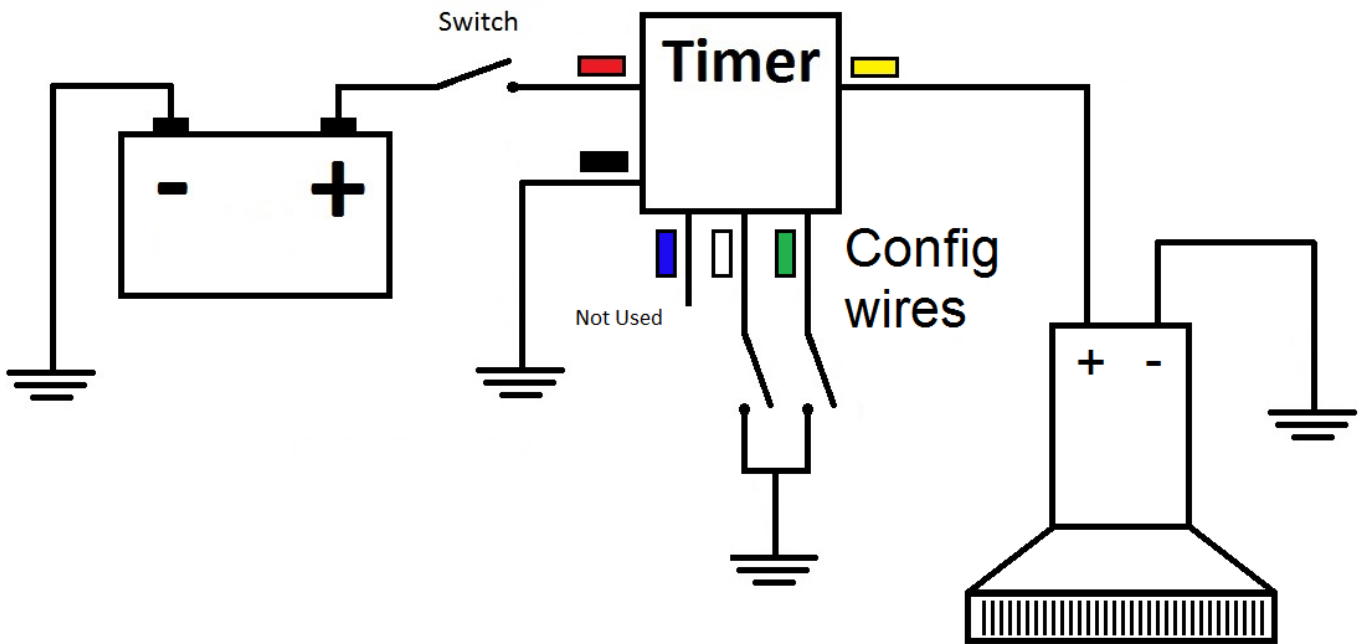
**DO NOT** return the item to the original retailer. Contact the support for any problem with the item or item delivery.

[timersshop@gmail.com](mailto:timersshop@gmail.com)

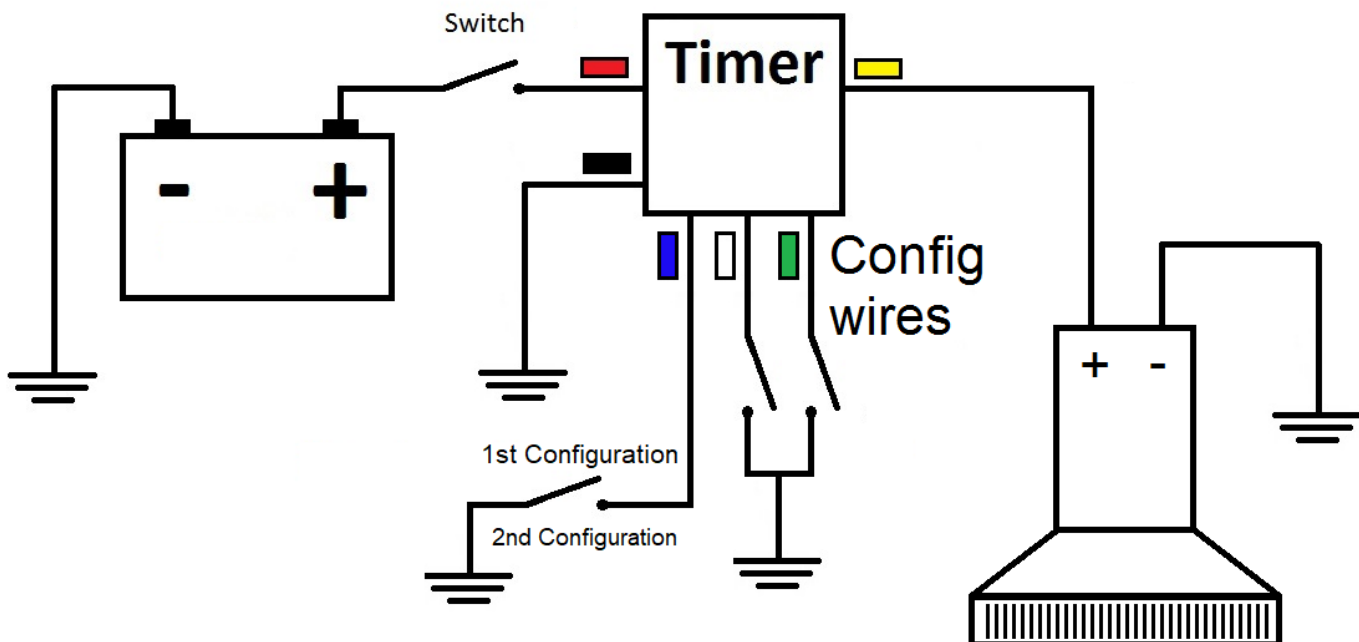
*Livewell aerator timer* operates the pump in cycling On-Off mode. The timer On and Off duration can be set from 10 sec to 30 min. The default is 30 sec On and 2 min Off. The timer can also be set to run the pump at lower speeds. The first 10 seconds the pump always runs at 100% duty to prime the pump and ensure correct water circulation, then power can be dropped to the lower rate (between 10% and 100%) to run the pump at lower speeds for the duration of the On phase.

\*\*\* For up to date installation instructions and videos visit [www.bit.ly/timer20](http://www.bit.ly/timer20)

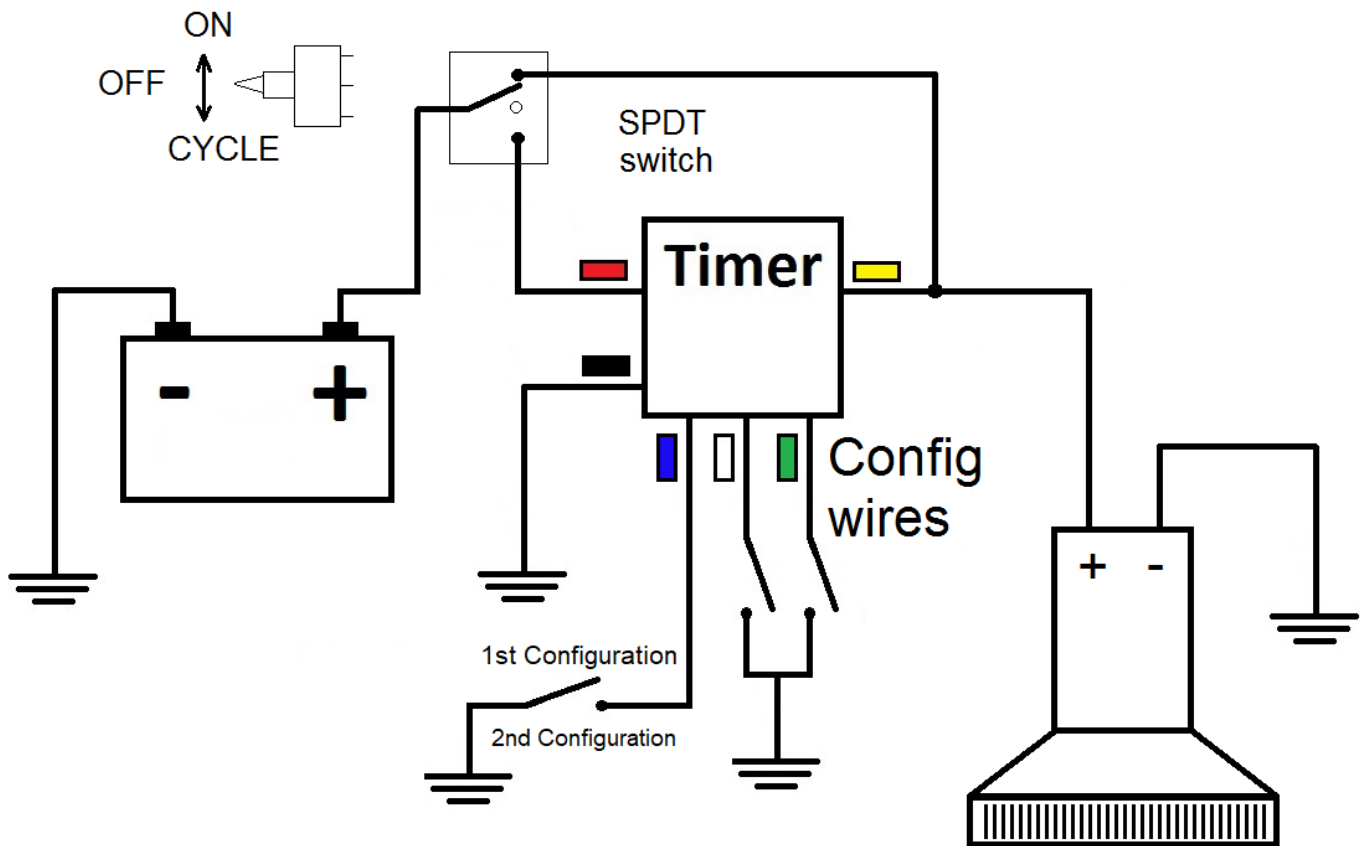
## Standard timer connection with On-Off switch.



## Alternative timer connection with two operation modes.

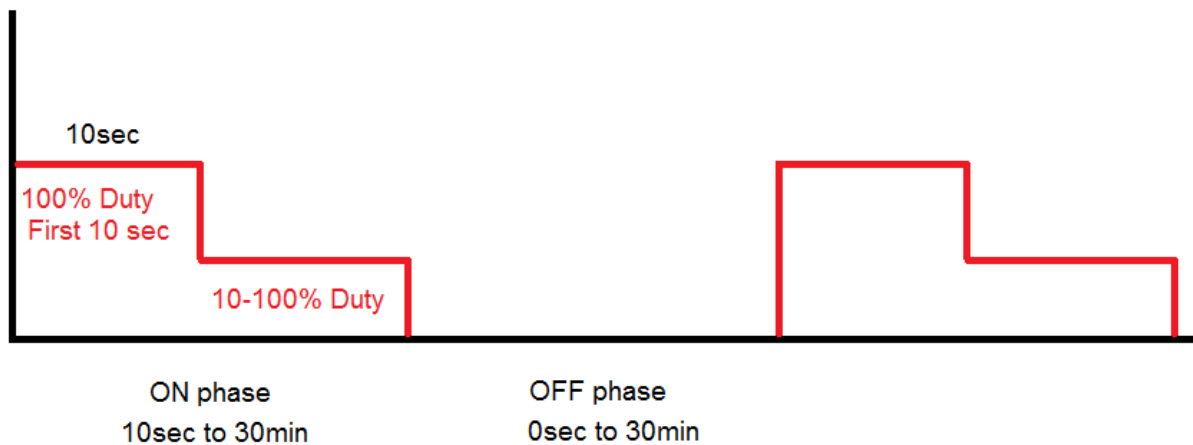


## Timer connection with 3-position switch to be able to switch between pre-programmed and ON operation.



### Connect timer according to the one of the above diagrams:

- Red – Power
- Black – Ground
- Yellow – Pump positive
- White/Green – configuration wires
- Blue – 1<sup>st</sup> and 2<sup>nd</sup> configuration switch (optional)



## **To configuration the timer:**

1. Push and hold the buttons connected to WHITE and GREEN wires, and then supply power to the timer. Once the pump turns ON release the buttons. The timer is now in the configuration mode.
2. Briefly push button #1. Power will be supplied to the pump for a short duration. Each time button #1 is pushed the timer adds +10 seconds to the ON period. Pushing the button #2 adds +10 seconds to the OFF period.
3. Turn the power OFF to the timer if you do not need to change the duty cycle. Or continue to the next step without disconnecting the power.
4. Push the buttons #1 and #2 together and release, the pump will turn On for about 3sec, then shut off for a 1second and turn On again. Pump runs at 100% duty now.
5. Each time button #1 is pushed the pump speed is reduced by about 5%, button #2 will increase the duty cycle. Once you get to the speed you want pump to run disconnect the power from the timer.

## **How to use optional 1<sup>st</sup>/2<sup>nd</sup> Configuration mode switch.**

Timer can have two different configurations (ON and OFF cycle timing) and the user can select the configuration with the switch connected to the Blue wire. When Blue is NOT connected to the ground timer runs 1<sup>st</sup> configuration. If the Blue wire is connected to the ground the timer runs 2<sup>nd</sup> configuration. To set 2<sup>nd</sup> configuration activate the switch and then execute configuration steps above.

Timer connection and programming video on YouTube: <http://bit.ly/lwt01>

This document can be downloaded here: <http://bit.ly/lwt01pdf>